



POSITION SENSOR MAGNETICALLY CONTACT DPM-1, DPM-1-100

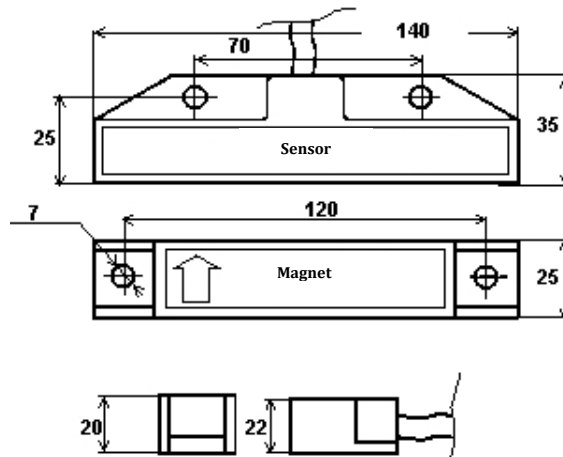


Dimensions

Dimensions in mm

Description

Position sensor magnetically contact psm-1intended for blocking of steel gates, railway containers, doors of refrigerator cars, hangars, other constructive elements of buildings and structures of flux carrying materials (steel, cast iron, galvanized iron, etc.) and not the flux of materials at the opening or displacement with output of discrete signal by opening dry contact reed switch, as well as in control systems of arious devices.



Electrical characteristics

Switching current	≤1.0A
Switching voltage	≥250V
Switching power max	30W,VA
Dimensions	Sensor - 140*20*35mm Magnet - 140*24*22mm
Weight	Sensor - 0,24kg Magnet - 0,21kg
Operating temperature	-50...+50°C
Humidity	98%
Contact resistance max	0,5 Ω

●Switch is guaranteed to be closed when the distance between the sensor and the magnet 25 mm and held closed at a distance of 40 mm, and is guaranteed to open at a distance of 90 mm (DPM-1).

●Switch is guaranteed to be closed when r distance between the sensor and the magnet is 80mm and held closed at a distance of 100 mm, and is guaranteed to open at a distance of 140 mm (DPM-1-100).