



**PINPOINT SECURITY MAGNETICALLY CONTACT DETECTOR IO 102-26 "METAL"**



**Description**

Security magnetically contact detector IO 102-26 "METAL" is designed to monitor the position of moving individual parts of structures and mechanisms, as well as for blocking of steel gates, railway containers, doors of cars, hangars and other constructive elements of buildings and structures for the opening or displacement with the results of the signal "Alarm" on the control panel, concentrator or central surveillance console.

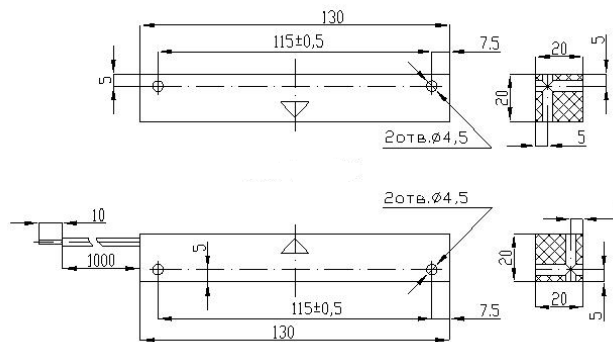
Detector consists of a magnetically controlled sensor based on a reed switch and a reference element – magnet.

When approaching the magnet to the sensor is short circuit (switching) contacts of the reed switch, at a time when the field strength generated by the permanent magnet, becomes equal to the field strength of the actuation of the reed switch

Enclosure of the detector IO102-26 "METAL" is made of metal.

**Dimensions**

Dimensions in mm



**Electrical characteristics**

Switching current	≤0,5A
Switching voltage	≥72V
Switching power	10W,VA
Dimensions	Sensor - 130*20*20mm Magnet - 130*20*20mm
Weight	Sensor - 0,09kg Magnet - 0,13kg
Operating temperature	-50...+50°C
Humidity	98%
Contact resistance	0,5 Ω

**Technical data**

Execution type	sensing distance	Reed switch type	Outlet type & length
-100 "Metal"	30mm	normally open contact	Ø8,3mm, (double insulation) 1000mm
-102 "Metal"	24mm	changeover contact	Ø8,7mm, (double insulation) 1000mm
-104 "Metal"	30mm	normally open contact	Ø3,8mm, (metal hose) 1000mm
-105 "Metal"	24mm	changeover contact	Ø6,0mm, (metal hose) 1000mm