



PINPOINT SECURITY MAGNETICALLY CONTACT DETECTOR IO 102-28



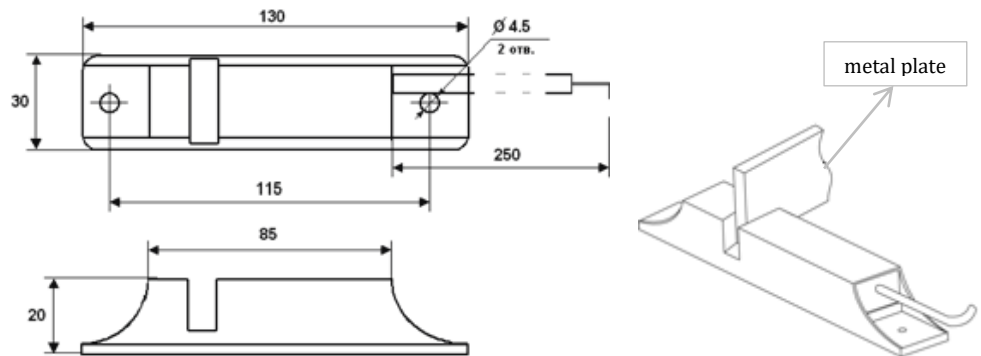
Description

Detectors IO 102-28 are designed for blocking of steel gates, railway containers, hangars and other constructive elements of buildings and constructions, opening with the issuance of the signal "Alarm" on the control panel, concentrator or Central surveillance console.

Detector consists of a sensor magnetically reed switch and magnet, made in one plastic case. The triggering of the sensor occurs at the entry of the metal plate, thickness 2.5 mm., mounted on the movable part of the metal structure in a technological gap located in the body of the sensor.

Dimensions

Dimensions in mm



Electrical characteristics

Switching current	≤0,5A
Switching voltage	≥72V
Switching power max	10W,VA
Dimensions	130*30*20mm
Weight	0,15kg
Operating temperature	-50...+50°C
Humidity	98%
Contact resistance max	0,5 Ω

Detectors designed for continuous operation.

Detectors are non-renewable products.