



PINPOINT SECURITY MAGNETICALLY CONTACT DETECTOR IO 102-40



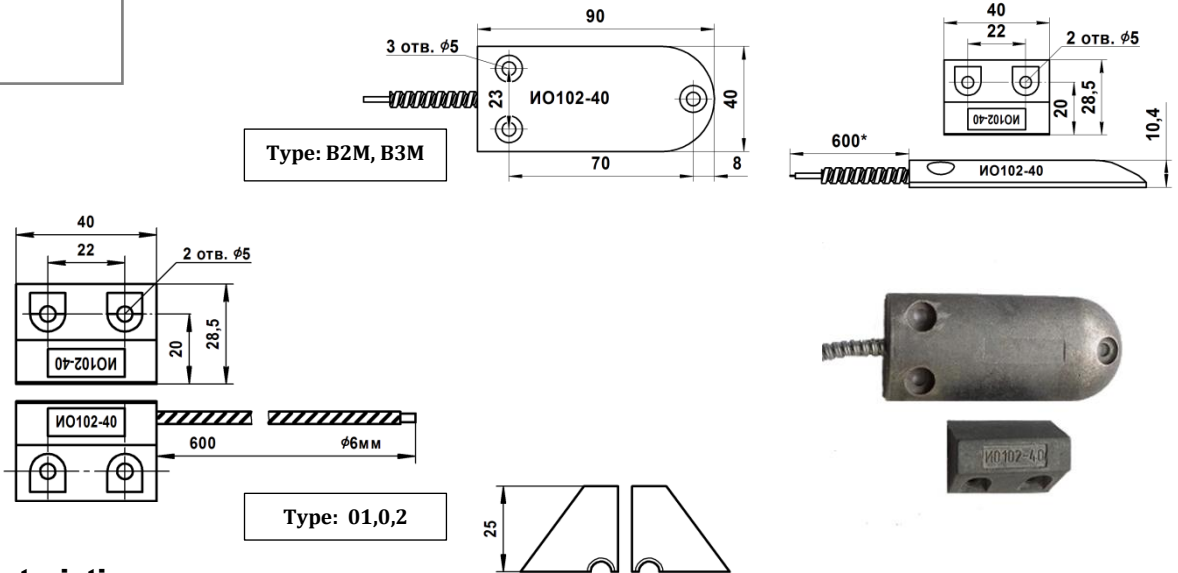
Description

Detector IO 102-40 is designed to lock gates, railway containers, hangars and other constructive elements of buildings and structures of noninfrared and flux carrying materials (steel, cast iron, galvanized iron, etc.), opening or displacement with the results of the signal "Alarm" on the control panel, concentrator or Central surveillance console.

The detector consists of a sensor based on reed switch and magnet, made in metal housings.

Dimensions

Dimensions in mm



Electrical characteristics

Switching current	≤0,5A
Switching voltage	≥72V
Switching power	10W,VA
Dimensions	Sensor - 120*40*20mm Magnet - 120*40*40mm
Weight	Sensor - 0,15kg Magnet - 0,15kg
Operating temperature	-50...+50°C
Humidity	98%
Contact resistance	0,5 Ω

Technical data

Execution type	Design feature	Reed switch type	Outlet type & length
-01	metal housing	normally open contact	Ø3,8mm, (metal hose) 600mm
-02	metal housing	changeover contact	Ø3,8mm, (metal hose) 600mm
-B2M	metal housing	normally open contact	Ø3,8mm, (metal hose) 600mm
-B3M	metal housing	changeover contact	Ø3,8mm, (metal hose) 600mm