



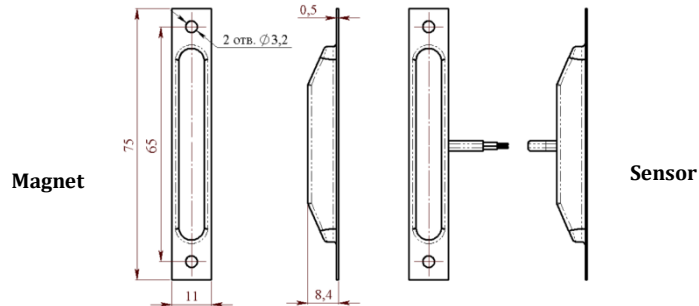
PINPOINT SECURITY MAGNETICALLY CONTACT DETECTOR IO 102-43 "Stainless steel"



Description

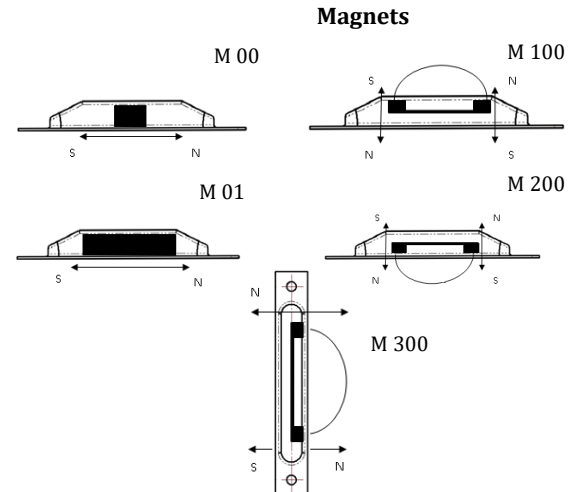
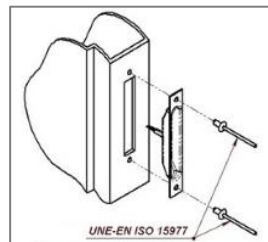
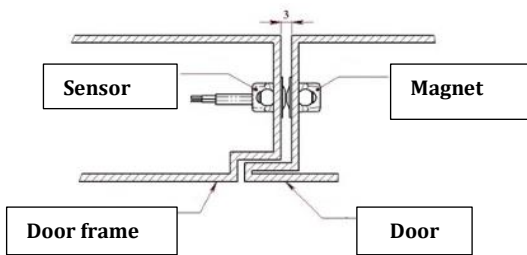
Detector IO 102-43 "Stainless steel" is designed for locking doors, windows, drawers and similar objects on the opening or displacement with the results of the signal "Alarm" on the control panel, concentrator or central surveillance console.

The detector is a non-renewable product.



Dimensions

Dimensions in mm



Electrical characteristics

Switching current	≤0,25A
Switching voltage	≤72V
Switching power max	10W,VA
Operating temperature	-40...+50°C
Humidity	98%
Contact resistance	0,5 Ω
Sensor/magnet weight, kg, max	0,02/0,02

Magnet	Sensor		
	type 00 normally open contact	type 01 changeover contact	type 02 normally open contact
M 00	contacts are closed at a distance of 10mm contacts open at a distance of 15mm	Contacts switched at a distance of 3mm Contacts are not switched at a distance of 5mm	_____
M 01	contacts are closed at a distance of 15mm contacts open at a distance of 20mm	Contacts switched at a distance of 6mm Contacts are not switched at a distance of 8mm	_____
M 100	contacts are closed at a distance of 20mm contacts open at a distance of 27mm	Contacts switched at a distance of 10mm Contacts are not switched at a distance of 14mm	_____
M 200	contacts are closed at a distance of 22mm contacts open at a distance of 30mm	Contacts switched at a distance of 9mm Contacts are not switched at a distance of 13mm	contacts are closed at a distance of 10mm contacts open at a distance of 13mm
M 300	contacts are closed at a distance of 12mm contacts open at a distance of 16mm	Contacts switched at a distance of 5mm Contacts are not switched at a distance of 6mm	_____